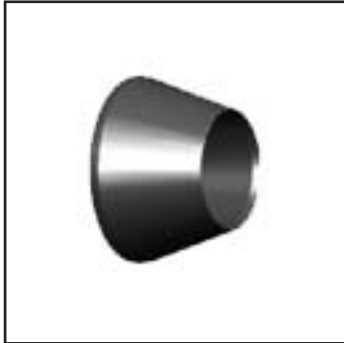




## System / Kit Set Up and Instructions

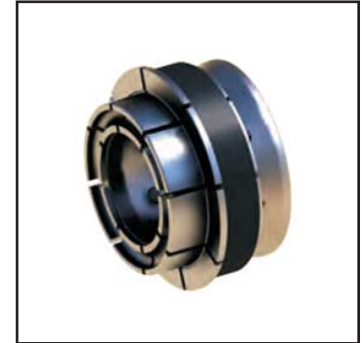
### Step 1 Hub Centering



**Good**



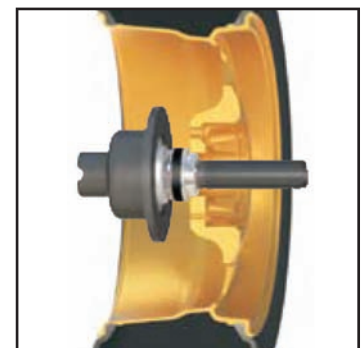
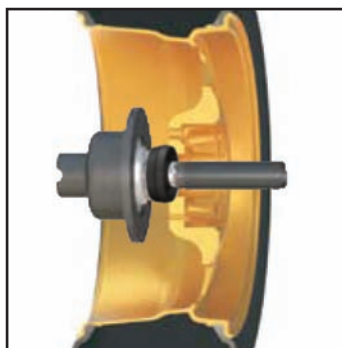
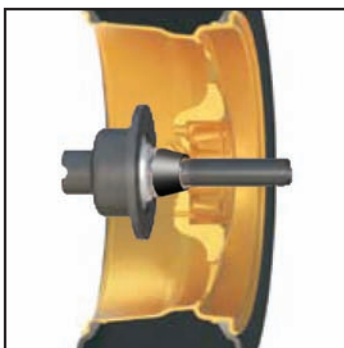
**Better**



**Best**

### Hub Centering

1. Determine which Hub Centering Device to use
  - a. For Pro Collets and MD discs, use application chart.
  - b. For Duo Expert, use chart or wheel hub fit.
    - i. Too big for wheel hub, use next size smaller.
    - ii. Too loose in wheel hub, use next size larger.
  - c. **Always place hub centering devices on shaft first to replicate the hub assembly flange for centering.**
  - d. **Never use hub centering devices on the front of the wheel as it doesn't have anything to do with mounting or centering wheels on vehicles.**



Distributed by

Precision



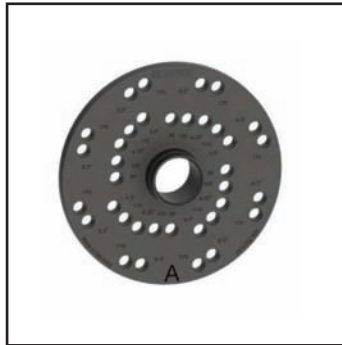
Performance

## Set Up and Instructions

### Step 2 Lug Centering



**Good**



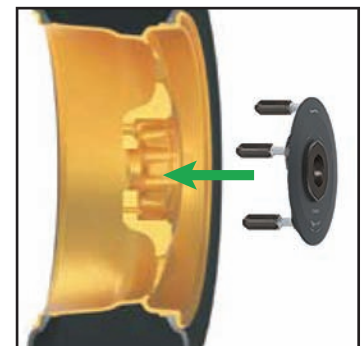
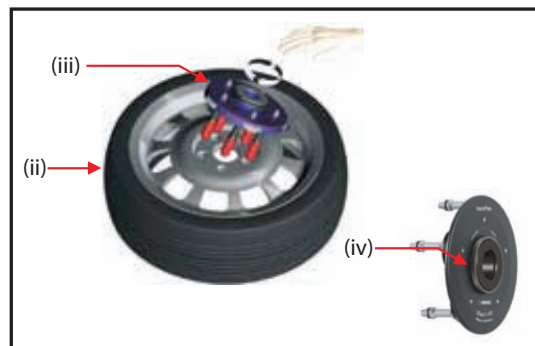
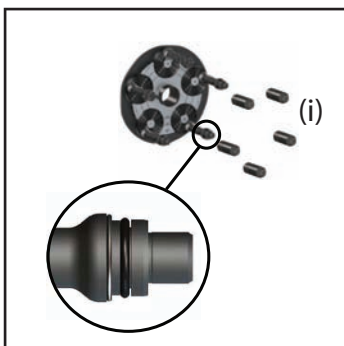
**Better**



**Best**

#### Lug Centering

1. Determine which Lug Centering Device to use.
  - a. For Quick Plates, select 4, 5 or 6 lug plate depending on vehicle.
  - b. For Flange Plates, use application chart.
2. Set bolt hole pattern.
  - a. For Quick Plates, do the following:
    - i. Select quick tip – short standard, long standard, ball seat, or aftermarket – chart available.
    - ii. Lay tire flat on ground.
    - iii. Position Quick Plate over lug holes and adjust gears to bolt hole pattern.
    - iv. Once adjusted, turn locking gear on back to hold bolt pattern for all 4 wheels.
  - b. For Flange Plates, use application chart.



Distributed by

Precision **allpart** Performance  
supply, inc.

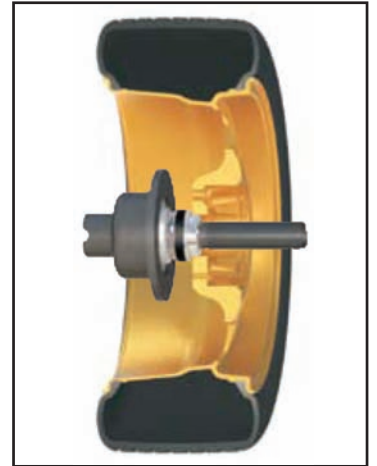
Professional Shop Solutions

## System / Kit

### Step 3 Wheel Mounting

#### Wheel Mounting - Hub

1. Once hub centering device and lug device are determined, you are ready to mount the wheel on the balancer.
2. Place hub centering device on shaft first.
3. Mount wheel properly on hub centering device.



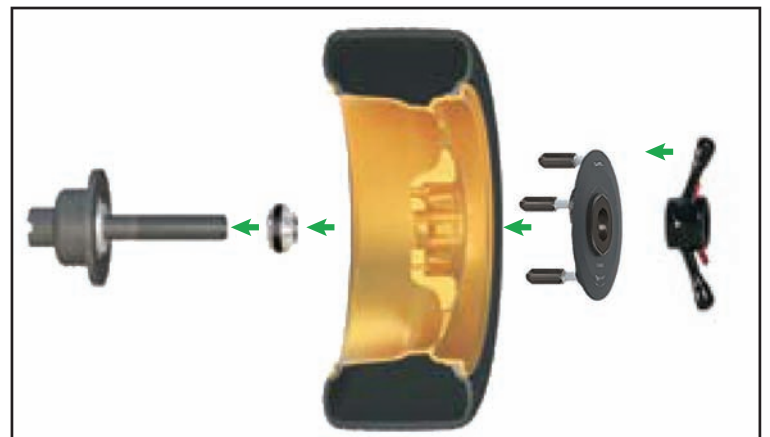
#### Wheel Mounting - Lug

1. Once wheel is mounted on hub device, place Quick Plate with preset bolt hole pattern on shaft.
2. Position studs in lug hole openings.
3. Make sure the wheel is properly seated on balancer.



#### Quick Nut

1. Once Lug device is in place, use a quick nut or wing nut to tighten and secure the system on the balancer.
2. When using Quick Plates or Flange Plates, make sure the pressure ring is always on the Quick Nut for proper use.



Distributed by

Precision  Performance

Professional Shop Solutions



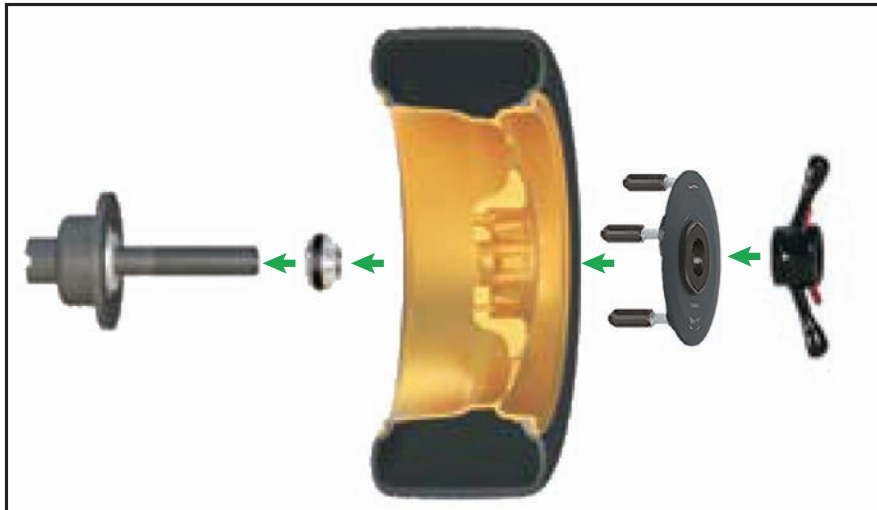
**HAWEKA**<sup>®</sup>

# Haweke Adapter Systems

## Easy as 1 - 2 - 3 Hub...Lug...Nut...

### Overview – Balancer Set Up

1. Place hub centering device (Duo Expert, Collets, Cones, and Hub Pilot Discs) on shaft first.
2. Mount wheel on hub centering device.
3. Place lug centering device (Quick Plate or Flange Plate) preset for the wheels bolt hole pattern, on the shaft and position studs in lug holes.
4. Tighten with Quick Nut or Wing Nut.
5. Spin it.



Distributed by

Precision

**allpart**  
supply, inc.

Performance

Professional Shop Solutions

866.442.9352

[www.haweke-usa.com](http://www.haweke-usa.com)