

# Pro Max MD Select

Centering Solutions  
For All 8 & 10 Lug  
MD Vehicles



Description	Quantity	Part-No.
NEW Adapter 1 - New MD Flange Plate with Studs 6 x 205, 8 x 6.5" (165.1mm), 8 x 170, 8 x 180, 8 x 200, 8 x 210, 8 x 225, 10 x 225, 10 x 7.25" (184.15mm)	1	HW700 xx0 033
Hub Pilot Disc 2 Hub Bores: 5.59" (142.1mm) / 6.69" (170.1mm)	1	HW160 xx0 048
NEW Hub Pilot Disc 11 New Spring Loaded Chevy Collet Hub Bores: 4.88" (124mm) / 6.06" (154mm)	1	HW280 xx0 029
NEW Hub Pilot Disc 12 New Spring Loaded Ford Collet Hub Bores: 5.46" (136.65mm) / 5.25" (133.35mm)	1	HW280 xx0 030
NEW Hub Pilot Disc 13 New Spring Loaded Collet Hub Bores: 4.88" (123.95mm) / 4.92" (125.1mm) / 4.56" (115.8mm) / 4.6" (116.8mm) / 4.77 (121.1mm), ALL 8x6.5" Applications	1	HW280 xx0 031

Distributed by

Precision



Performance

## Pro Max MD Standard

### MD Centering Solutions



Description	Quantity	Part-No.
<b>NEW Adapter 1 - New MD Flange Plate with Studs</b> 6 x 205, 8 x 6.5" (165.1mm), 8 x 170, 8 x 180, 8 x 200, 8 x 210, 8 x 225, 10 x 225, 10 x 7.25" (184.15mm)	1	HW700 xx0 033
<b>Hub Pilot Disc 2</b> Hub Bores: 5.59" (142.1mm) / 6.69" (170.1mm)	1	HW160 xx0 048
<b>Hub Pilot Disc 3</b> Hub Bores: 5.46" (136.65mm) / 5.25" (133.35mm)	1	HW190 xx0 052
<b>Hub Pilot Disc 7</b> Hub Bores: 4.88" (124mm) / 6.06" (154mm)	1	HW160 xx0 067
<b>NEW Hub Pilot Disc 13 New Spring Loaded Collet</b> Hub Bores: 4.88" (123.95mm) / 4.92" (125.1mm) / 4.56" (115.8mm) / 4.6" (116.8mm) / 4.77 (121.1mm), ALL 8x6.5" Applications	1	HW280 xx0 031

Distributed by

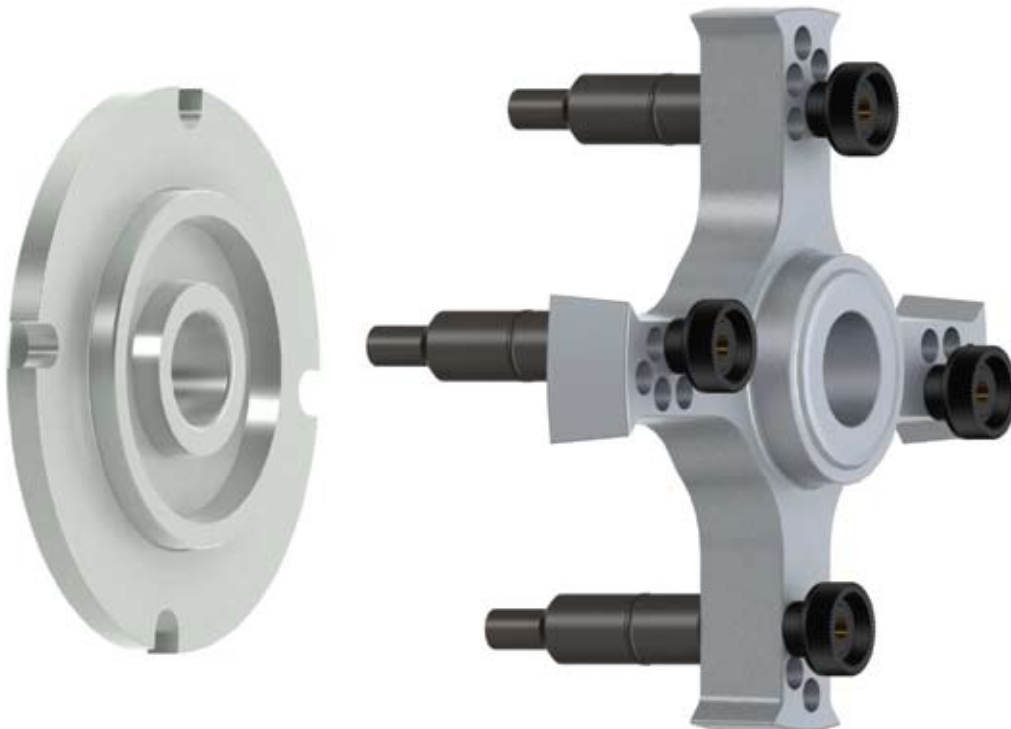
Precision



Performance

# Pro Max Chevy II Kit

8 x 180 and 8 x 210  
MD Centering Solutions



Description		Quantity	Part-No.
<b>4 Arm Lug Adapter 2</b>	<b>8 x 170, 8 x 180, 8 x 200, 8 x 210, and 8 x 225</b>	1	HW700e400 019
<b>Hub Pilot Disk 7 (Double Sided)</b>	<b>4.88" (124mm) / 6.06" (154mm)</b>	1	HW160 400 067
<b>Long Stud with Nut</b>		4	HW700 008 029

Distributed by

Precision



Performance